



HWP40

HWP series forced circulation water engine heater is composed of 3 parts: control section, water pump and water heater.

Product Code : 6100004

Power Supply : AC 240V

Case Dimensions : 444*296*330(mm)

Weight : 13kg

COMPLETE DESCRIPTION

HWP series forced circulation water engine heater is composed of 3 parts: control section, water pump and water heater.

If during cranking the outside temperature is lower than 4°C, engine coolant and lubricant may condense into solid state and lose their lubricating and cooling properties, which can damage the engine. Engine heater should be installed to ensure normal starting and running of the engine when the outside temperature is lower than 4 °C.

HWP series forced circulation water engine heater combines the following features: cast stainless steel inner pipes and end closure with high corrosion resistance; heating and overheat light indicators; user-defined thermostat set point; dry heating and overheat protection.

This product is suitable for various engine with (15~100)L displacement.

PERFORMANCE AND CHARACTERISTICS

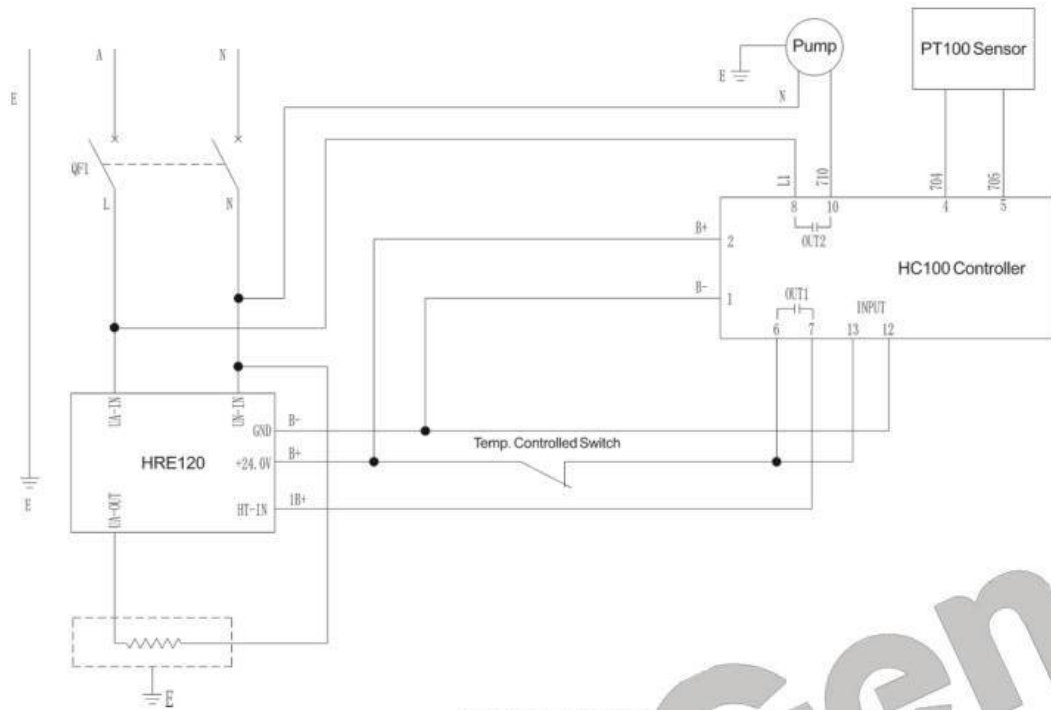
1. The circulating water pump adopts special customized pump with stainless steel pump head for good mute effect, reliable and safe and long lifetime.
2. Control section: microprocessor design; high sampling precision and accuracy control due to PT100 temperature sampling. Coolant temperature can be set via the control panel. Four digital LED display, coolant temperature and all kinds of set point temperature can be displayed clearly.
3. Dry heating and overheat protection.
4. Separately control of water pump and water heater: power on the water pump and water heater synchronously, once the set temperature has reached, water heater will be powered off firstly, after 3s, following is water pump. The goal is to prevent heat concentration and significantly prolong water pump lifetime.
5. Manual test: test the water heater and water pump are normally or not via panel button.
6. Fine cast aluminum enclosure and special surface treatment with high corrosion resistance and high/low temperature capability;
7. Stainless steel inner pipes and end closure with high corrosion resistance;
8. There is a water drain valve with seal ring on the bottom of the heater so as to be used when needed;
9. There is one-way inlet valve on the water inlet.
10. This product can work normally at -25°C temperature.

PARAMETER LIST

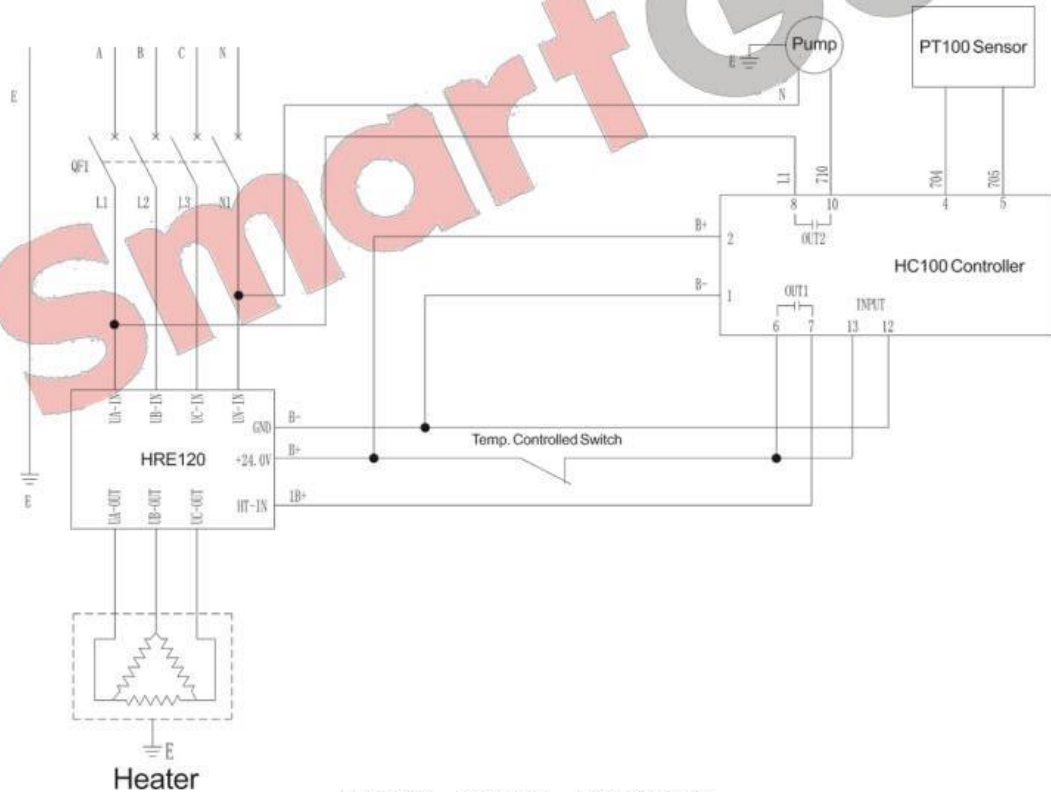
Function Item	Parameter
Rated Power	4000W
Rated Voltage	AC240V
Rated Current	16.7A
Engine Displacement(L)	25~40
Thermostat Range	Off: (5~99)°C On: (0~94)°C
Overheating Switch Range	Off: (95±3)°C On: (80±6)°C

Function Item	Parameter
Default Thermostat Range	Off: (40±2)°C On: (25±2)°C
Electrical Strength	AC 1.5kV 1min
Insulating Resistance	≥50MΩ
Inlet/Outlet Size	3/4 (Φ19.5mm)
Max. Water Pressure	0.5MPa
Protection Class	IP44
Vibration	(5~8)Hz; Amplitude±7.5mm; Triaxial (8~500)Hz; a=2g; Triaxial
Shock	Half-sine Wave; a _{peak} =50g; Triaxial;
Phase	1P2W
Pump Flow Velocity	40L/min (1.5m of lift)
Case Dimensions(mm)	440*270*380
Weight(kg)	14

Application



HWP40 Diagram



HWP60, HWP90, HWP120 Diagram

Use 4mm² power line for tie-in. Ground wire connect to ground.