

SG485

SG485 Communication Interface Conversion Module can convert the communication interface from LINK (Smartgen special) to isolated standard RS485. The module integrated DC/DC power isolation and RS485 interface chip which enable it to connect to RS-485 network.

Product Code : 6120005
Power Supply : LINK interface
Case Dimensions : 91*42*61(L*W*H)(mm)
Operating Temp. : (-40~+70)°C
Weight : 0.06kg

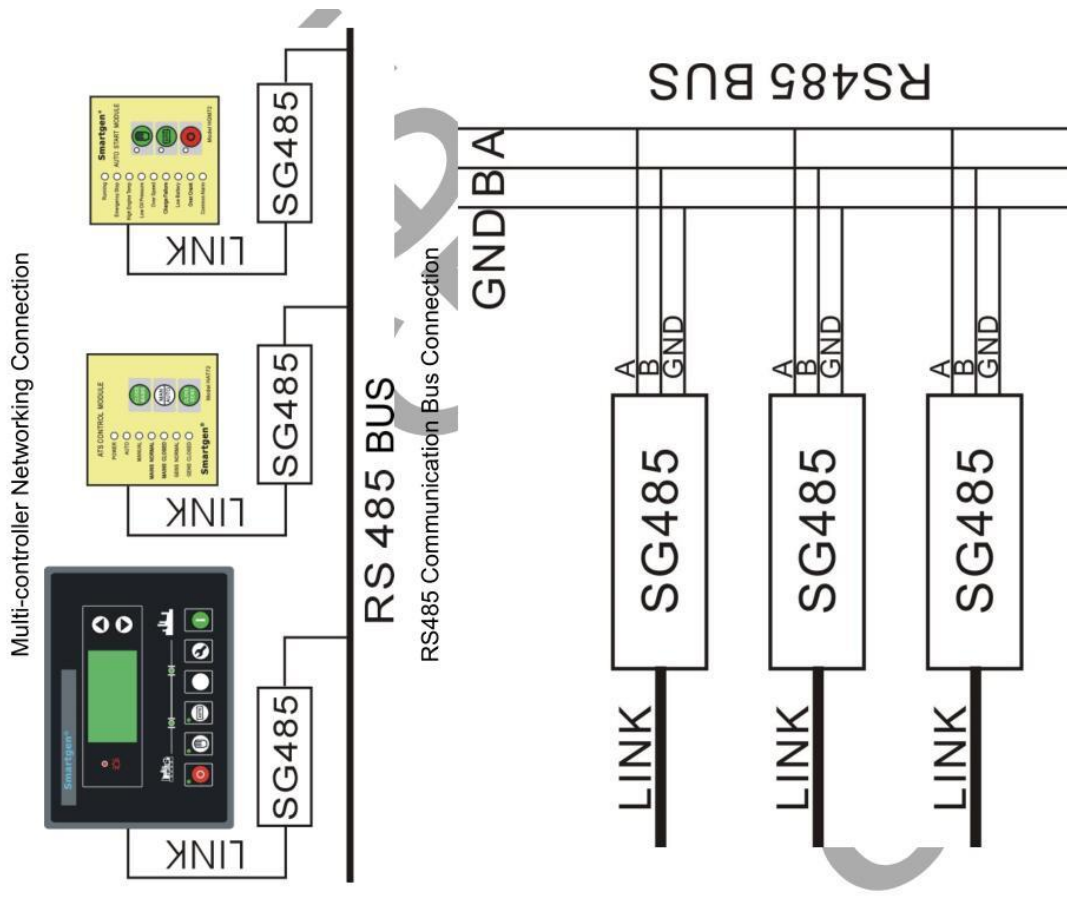
COMPLETE DESCRIPTION

SG485 Communication Interface Conversion Module can convert the communication interface from LINK (Smartgen special) to isolated standard RS485. The module integrated DC/DC power isolation and RS485 interface chip which enable it to connect to RS-485 network.

PRODUCT FEATURE

1. RS485 network can connect to maximum 32 nodes;
2. Isolation Voltage: reach up to DC1000V;
3. Power supplied by LINK interface and there is no need to connect to external power supply.
4. Baud rate \leq 9600bps ;
5. Humidity : 20%~90%(No Condensation) ;
6. Working Temperature : $-40^{\circ}\text{C}\sim+70^{\circ}\text{C}$;
7. Case Dimension : 91*42*61mm(L*W*H) ;
8. Weight : 0.06kg.

Application



Please set each controller's communication address before networking and same module address within the same network is not allowed.